

We are certified with

ISO/IEC 17025:2017 | ISO 9001:2015
ISO 14001:2015 | OHSAS 45001:2018



SANITARY GRADE ELECTROMAGNETIC FLOW METER



Series SG - SROAT

The Series SG-Sroat of Electromagnetic Flow Meters is Specifically designed for measurement of food liquids like milk, cream, juices of various fruits, pharma liquids etc. It is available with integral or remote version of transmitter. The transmitter can have built-in or remote totalizer display. Suitable end Connections of SMS Union or DIN Union or Tri-Clover Clamp is given as per Customer's requirements.

Special Models are available for mounting on Milk Tankers.

Features

- Full Stainless Steel Body
- End Connection in Union Coupling or Tri-clover Clamp
- Sizes available from 1" to 4" (DN25 - DN100)
- Highly Accurate and Extremely Linear
- Isolated 4-20 mA output Proportional to Flow Rate
- Option of Pulse Output available

TRANSMITTER SROAT 1000A / SS1002

Common Specs to both Transmitters

Type	: Integral Mounted (Std) Remote Mounted (on request)
Accuracy	: $\pm 0.5\%$ $\pm (1 \text{ mm/sec})$ of Actual Flow Rate between 100% to 10% of Calibrated range
Flow Velocity Range	: 0.1 m/s to 10 m/s
Repeatability	: $\pm 0.2\%$ of reading
Ambient Temp.	: 0 - 50°C
Signal Output	: 4-20 mA DC in max. 600 Ω load Isolated, Proportional to flow rate
Temperature Drift	: 0.015% / °C maximum of Full Scale
Humidity	: 90% R.H. maximum, non-condensing
Material of Housing	: Al. Die cast for Amplifier / Transmitter
Cable Entries	: Maximum 6 no. For Remote Mounting Maximum 2 no. For Integral Mounting
Ingress Protection	: IP 67

SMS Union Type

Tri-Clover Clamp Type

TRANSMITTER SPECIFICATIONS

Transmitter: SR1000A

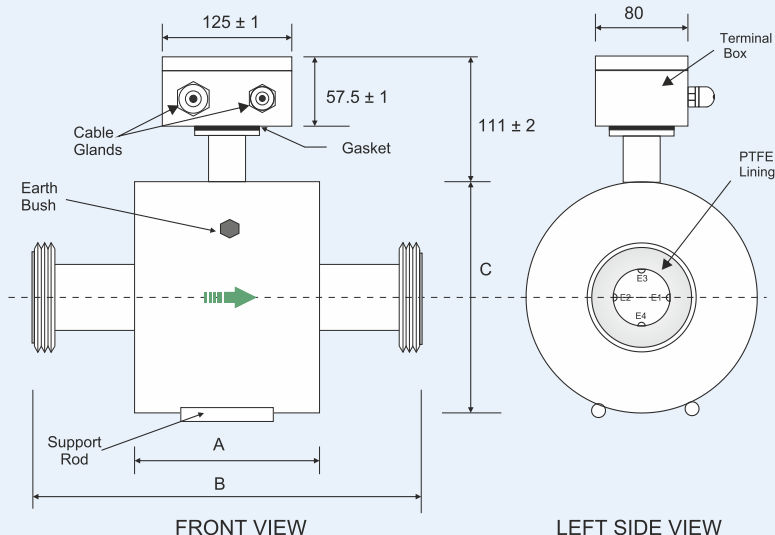
Min. Media Conductivity	: $\geq 5 \mu\text{S} / \text{cm}$
Comm. Port	: NA
Display	: a) 3½ digit, ½" LCD for Flow Rate b) 8 digit LCD for Totalisation
Damping	: Adjustable from 5 to 30 Seconds
Power Supply	: 230V ac, Single Phase, 50 Hz $\pm 10\%$ or 110V ac, Single Phase, 50 Hz $\pm 10\%$ or 12V dc / 24 V dc, $\pm 10\%$

Transmitter: SS1002

Min. Media Conductivity	: $\geq 20 \mu\text{S} / \text{cm}$
Comm. Port	: RS485 (default) / RS232 (on request) with MODBUS RTU Compatible
Display	: 16 characters \times 2 rows LCD Display (For instantaneous Flow Rate, Totaliser, Engg. Units, Fault messages, etc.)
Damping	: Internally Fixed
Power Supply	: 85 to 265 V ac, $\pm 10\%$, 50 Hz, Single Phase 24V dc $\pm 20\%$

ADDITIONAL FEATURES IN SR1001APLUS

Communication Port	: RS 485 (standard) RS 232 (on request)
Data Logging	: 5800 Number of readings can be logged (One reading per hour)
Display	: 16 characters \times 2 rows LCD Display (For instantaneous Flow Rate, Totaliser, Engg. Units, Fault messages, etc.)



Meter Dimensions (mm)

DN (mm)	A	B	C
25	78	200	134
38	100	200	121
51	105	200	131
63.5	99	200	156
76.1	92	200	181
101.6	135	250	232

All dimensions are in mm

ORDERING INFORMATION

Sample code explained: DN 25 - PTFE - SS316L - TC - SS304 - SS304 - SS1002 - 2D - 0L - RS4 - RMT - U

<p>DN 25 Flow Meter Size</p> <p>DN 25 : DN 63.5</p> <p>DN 38 : DN 76.1</p> <p>DN 51 : DN 101.6</p>	<p>SS304 End Connection Material</p> <p>SS304 : Stainless Steel SS304</p> <p>SS316 : Stainless Steel SS316</p>	<p>0L Logging</p> <p>1L : Normal Logging</p> <p>2L : Extended Logging</p> <p>0L : No Logging</p>
<p>PTFE Liner Material</p> <p>PTFE : PTFE</p> <p>PFA : PFA</p>	<p>SS304 Body Material</p> <p>SS304 : Stainless Steel SS304</p> <p>SS316 : Stainless Steel SS316</p> <p>SS316L : Stainless Steel SS316L</p>	<p>RS4 Communication Facility</p> <p>NA : No Communication</p> <p>RS2 : RS 232</p> <p>RS4 : RS 485</p>
<p>SS316L Electrode Material</p> <p>SS316 : SS316</p> <p>SS316L : SS316L</p>	<p>SS1002 Transmitter Type</p> <p>SR1000A : SROAT 1000A</p> <p>SR1001AP : SROAT 1001AP</p> <p>SS1002 : SS1002</p>	<p>RMT Transmitter Mounting</p> <p>INT : Integral</p> <p>RMT : Remote</p>
<p>TC End Connection Standards</p> <p>TC : Tri - Clover Clamp</p> <p>SU : SMS Union</p> <p>DU : DIN Union</p>	<p>2D Display</p> <p>B : Blind</p> <p>1D : Indication Display</p> <p>2D : Indication & Totalization</p>	<p>U Power Supply</p> <p>1 : 110 V AC \pm 10%, 50 Hz</p> <p>2 : 230 V AC \pm 10%, 50 Hz</p> <p>3 : 24 V DC</p> <p>U : 85-265 V AC, 50 Hz</p> <p>Z : Any Other</p>

Due to continuous development specifications are subject to change without prior notice.

